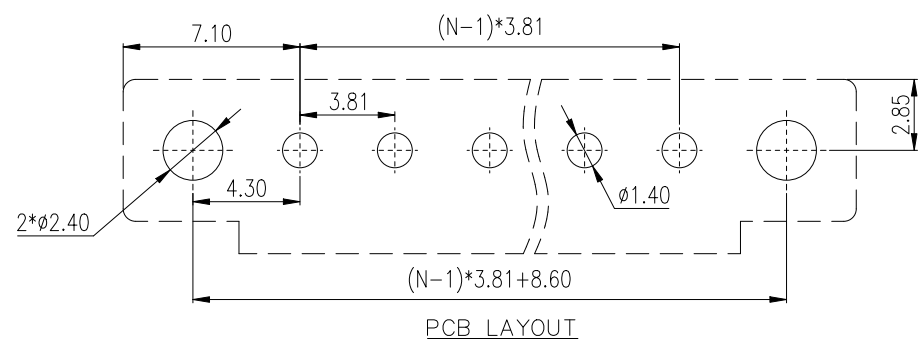
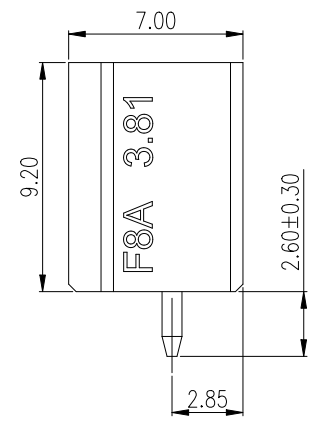
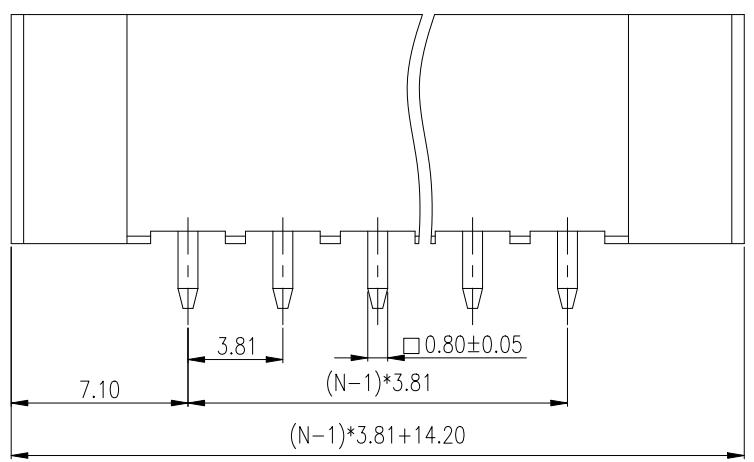
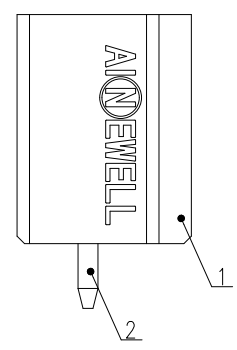
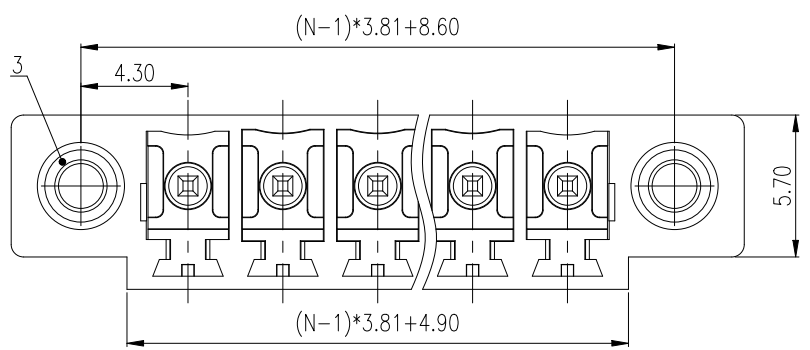


REV	DESCRIPTION	DRW.	DATE
00	初版发行	L.K	2025.01.21



Notes/备注:

1. Electrical properties/电气特性
UL Standard/UL标准

Use Group/应用组别	B	C	D
Rated Voltage/额定电压 (V)	300	/	300
Rated Current/额定电流 (A)	8	/	8
Withstanding voltage/工频耐电压	AC 1600V/1Min		

IEC Standard/IEC标准

Rated Voltage/额定电压 (V): 320
Rated Current/额定电流 (A): 10

Overvoltage Category/过电压类别 /Pollution Degree/污染等级	II/2	III/2	III/3
Voltage/电压 (V)	320	160	160
Rated Impulse Voltage/冲击耐电压(KV)	2.5	2.5	2.5

2. Environmental safety/环境安全

Operating temperature/工作温度范围(℃): -40~+105
RoHS compliant/符合RoHS环保要求

3	NUT 螺母	Copper Alloy	
2	PIN HEADER 焊针	Copper Alloy	Sn Plated
1	HOUSING 主体	LCP	UL94 V-0
ITEM	NAME OF PART	MATERIAL	NOTES

Part No./料号说明:
F8A-1M-3.81-XXP-A-THR-L26

Poles/P数
02: 2Poles
03: 3Poles
...
24: 24Poles

A: Black/黑色

Nominal dimension		Tolerances (mm)					
0 to 18	over 18 to 30	over 30 to 50	over 50 to 80	over 80 to 120	over 120 to 180	over 180 to 250	over 250 to 320
±0.25	±0.3	±0.35	±0.5	±0.7	±0.9	±1.0	±1.2

APP. M.X.B	DATE: 2025.01.21	PART NO.: F8A-1M-3.81-XXP-A-THR-L26	
CHK. C.W	DATE: 2025.01.21		
DRW. L.K	DATE: 2025.01.21	DARWING TYPE: Customer Drawing	
PROJECTION		UNITS: mm	SCALE: 4.5:1 SHEET/OF: 1/1
AINWELL		昆山艾尼维尔电子有限公司 KUN SHAN AINWELL ELECTRONICS CO.,LTD	