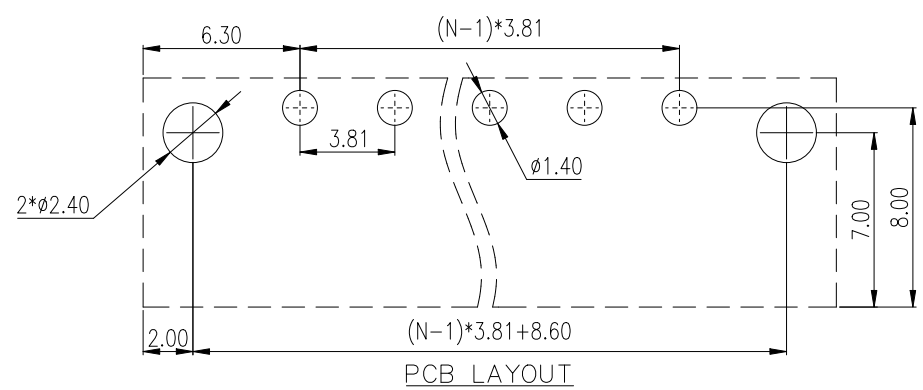
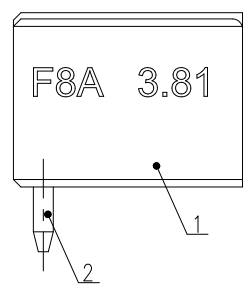
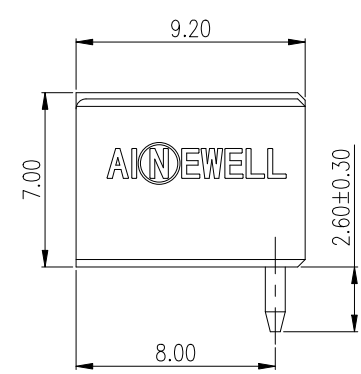
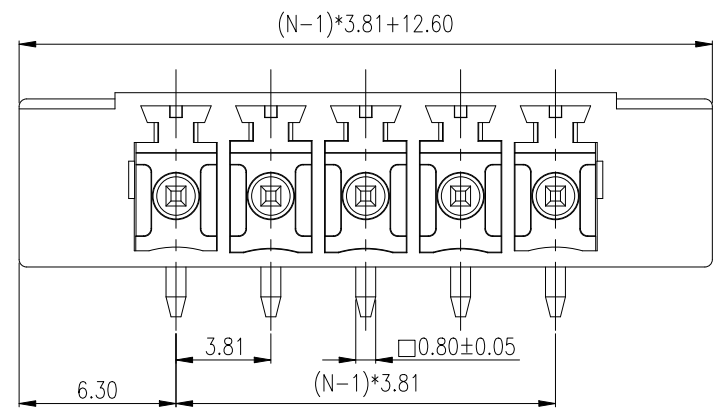
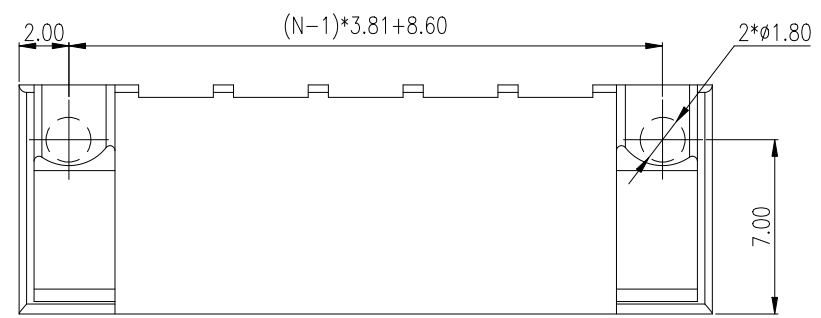


REV	DESCRIPTION	DRW.	DATE
00	初版发行	L.K	2025.01.21



Notes/备注:

1. Electrical properties/电气特性
UL Standard/UL标准

Use Group/应用组别	B	C	D
Rated Voltage/额定电压 (V)	300	/	300
Rated Current/额定电流 (A)	8	/	8
Withstanding voltage/工频耐电压	AC 1600V/1Min		

IEC Standard/IEC标准

Rated Voltage/额定电压 (V): 320
Rated Current/额定电流 (A): 10

Overvoltage Category/过电压类别 /Pollution Degree/污染等级	II/2	III/2	III/3
Voltage/电压 (V)	320	160	160
Rated Impulse Voltage/冲击耐电压(KV)	2.5	2.5	2.5

2. Environmental safety/环境安全

Operating temperature/工作温度范围(℃): -40~+105
RoHS compliant/符合RoHS环保要求

2	PIN HEADER 焊针	Copper Alloy	Sn Plated
1	HOUSING 主体	LCP	UL94 V-0
ITEM	NAME OF PART	MATERIAL	NOTES

Part No./料号说明:
F8A-3T-3.81-XXP-A-THR-L26

Poles/P数
02: 2Poles
03: 3Poles
...
24: 24Poles

A: Black/黑色

		Nominal dimension Tolerances (mm)						
		over 18 to 30	over 30 to 50	over 50 to 80	over 80 to 120	over 120 to 180	over 180 to 250	over 250 to 320
0 to 18	±0.25	±0.3	±0.35	±0.5	±0.7	±0.9	±1.0	±1.2

APP. M.X.B	DATE: 2025.01.21	PART NO.: F8A-3T-3.81-XXP-A-THR-L26	
CHK. C.W	DATE: 2025.01.21	DARWING TYPE: Customer Drawing	
DRW. L.K	DATE: 2025.01.21	UNITS: mm	SCALE: 4.5:1 SHEET/OF: 1/1
PROJECTION			
		昆山艾尼维尔电子有限公司 KUN SHAN AINEWELL ELECTRONICS CO.,LTD	