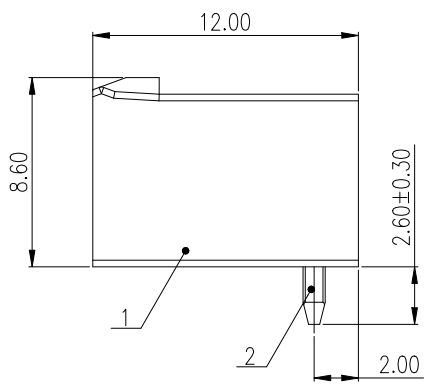
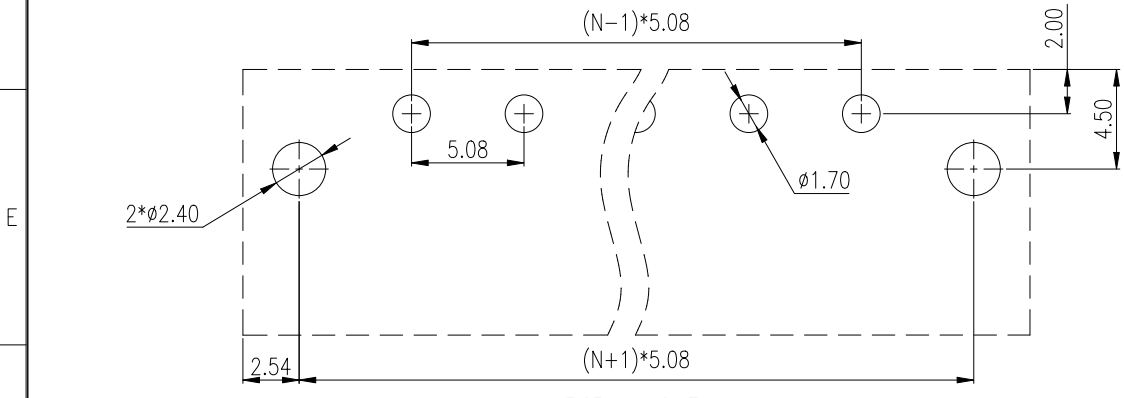
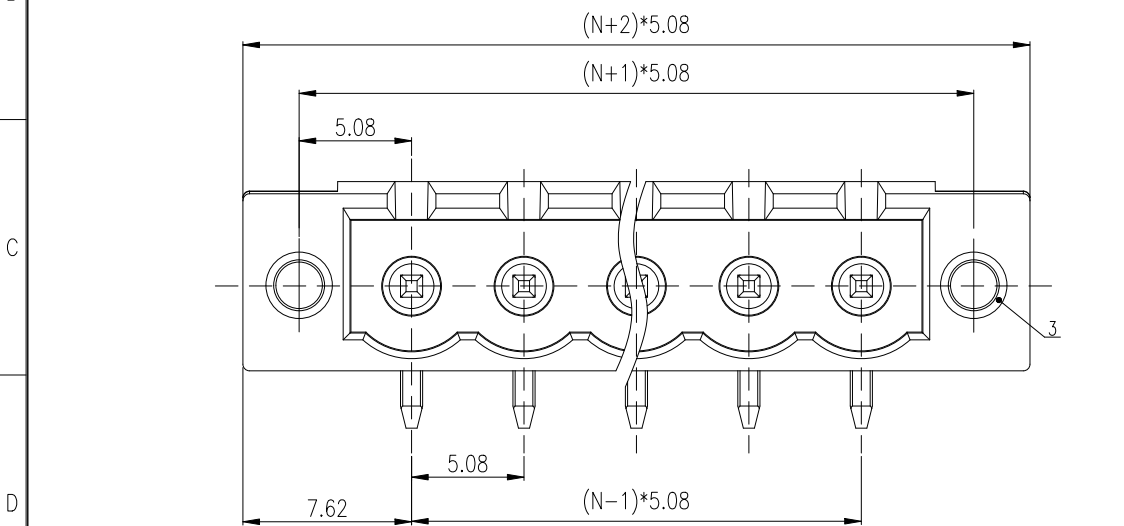
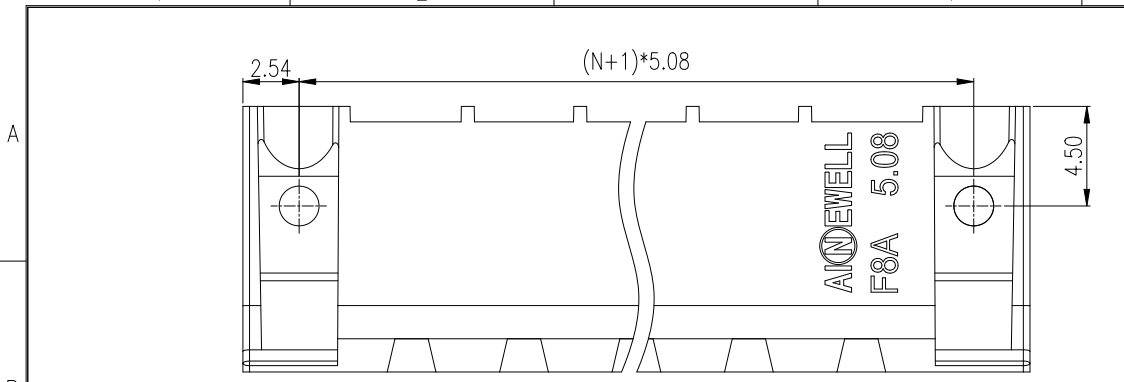


REV	DESCRIPTION	DRW.	DATE
00	初版发行	M.C.N	2024.12.19



Notes/备注:

1. Electrical properties/电气特性
UL Standard/UL标准

Use Group/应用组别	B	C	D
Rated Voltage/额定电压 (V)	300	/	300
Rated Current/额定电流 (A)	15	/	10
Withstanding voltage/工频耐电压	AC 1600V/1Min		

IEC Standard/IEC标准

Rated Voltage/额定电压 (V): 320
Rated Current/额定电流 (A): 16

Overvoltage Category/过电压类别 /Pollution Degree/污染等级	II/2	III/2	III/3
Voltage/电压 (V)	630	320	320
Rated Impulse Voltage/冲击耐电压(KV)	4	4	4

2. Environmental safety/环境安全

Operating temperature/工作温度范围(°C): -40~+105
RoHS compliant/符合RoHS环保要求

Part No./料号说明:

F8A-8-5.08-XXP-A-THR-L26

Poles/P数
02: 2Poles
03: 3Poles
...
24: 24Poles

A: Black/黑色

3	Nut 螺母	Copper Alloy	
2	Pin header 焊针	Copper Alloy	Sn Plated
1	Housing 主体	LCP	UL94 V-0
ITEM	NAME OF PART	MATERIAL	NOTES

Nominal dimension		Tolerances (mm)					
0	over 18	over 30	over 50	over 80	over 120	over 180	over 250
to 18	to 30	to 50	to 80	to 120	to 180	to 250	to 320
	±0.25	±0.3	±0.35	±0.5	±0.7	±0.9	±1.2

PCB LAYOUT

APP. M.X.B	DATE: 2024.12.19	PART NO.: F8A-8-5.08-XXP-A-THR-L26	
CHK. M.C.N	DATE: 2024.12.19		
DRW. L.K	DATE: 2024.12.19	DARWING TYPE: Customer Drawing	
PROJECTION		UNITS: mm	SCALE: 4:1 SHEET/OF: 1/1
		昆山艾尼维尔电子有限公司 KUN SHAN AINEWELL ELECTRONICS CO.,LTD	